



RODIX INCORPORATED

TOLL FREE (800) 562-1868, FAX (815) 316-4701
E-mail custserve@rodix.com
rodix.com

FEEDER CUBE®
VF-3-AB, P/N 121-200-0800
GENERAL PURPOSE MODEL
IMPORTANT: APPLICATION NOTE



File No. E183233

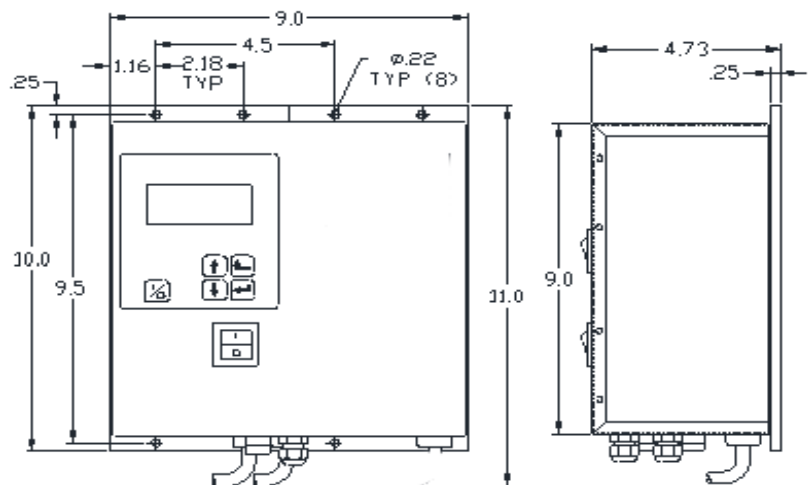
Input: 120/240 VAC, 50/60 HZ.
(Operating range 90-130 VAC)
Outputs: 0 - 120 VAC

Unit A ratings
Input Fuse Size: 5 amps
Output Frequency: 5 - 180Hz
Rated Output Current: 3 Amps

Unit B ratings
Output Voltage: 24 VDC
Output Current per valve: 100mA

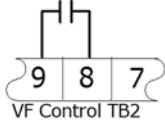
Unit A Information: The Autotune Series of Variable Frequency Feeder Cubes® generates an output frequency for feeding that is independent from the power line frequency. An optional vibration sensor, P/N 123-215, can be used to maintain the vibratory feeder at a constant feed rate. The start/stop operation of the output can be controlled with an optional parts sensor. For more information on this control, refer to the enclosed Adjustments and Set Up pages.

Unit B Information: This unit is based on the AB-2 Timer/Logic Board. The Air Blow control board is used for multi-feeder bowl applications to blow excess parts on a lane back into the bowl. The AB-2 control board can drive the 24 VDC air valves on 2 lanes, and send an On/Off control signal to Unit A. PNP parts sensors are required for each lane used.



VF/FC-200 CONTROL RUN JUMPER INPUT

A) LOW CURRENT SWITCH

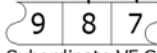


B) FEEDER BOWL/HOPPER INTERLOCK

Master VF Control TB2, OUTPUT



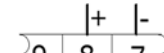
Subordinate VF Control TB2, INPUT



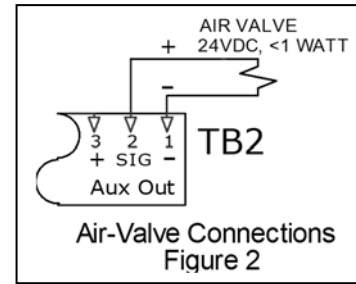
C) LOW VOLTAGE INPUT SWITCHING

(Remove Run Jumper and apply DC Voltage from PLC)

5-30 VDC INPUT VOLTAGE OFF/ON CONTROL



VF Control TB2



Air-Valve Connections Figure 2

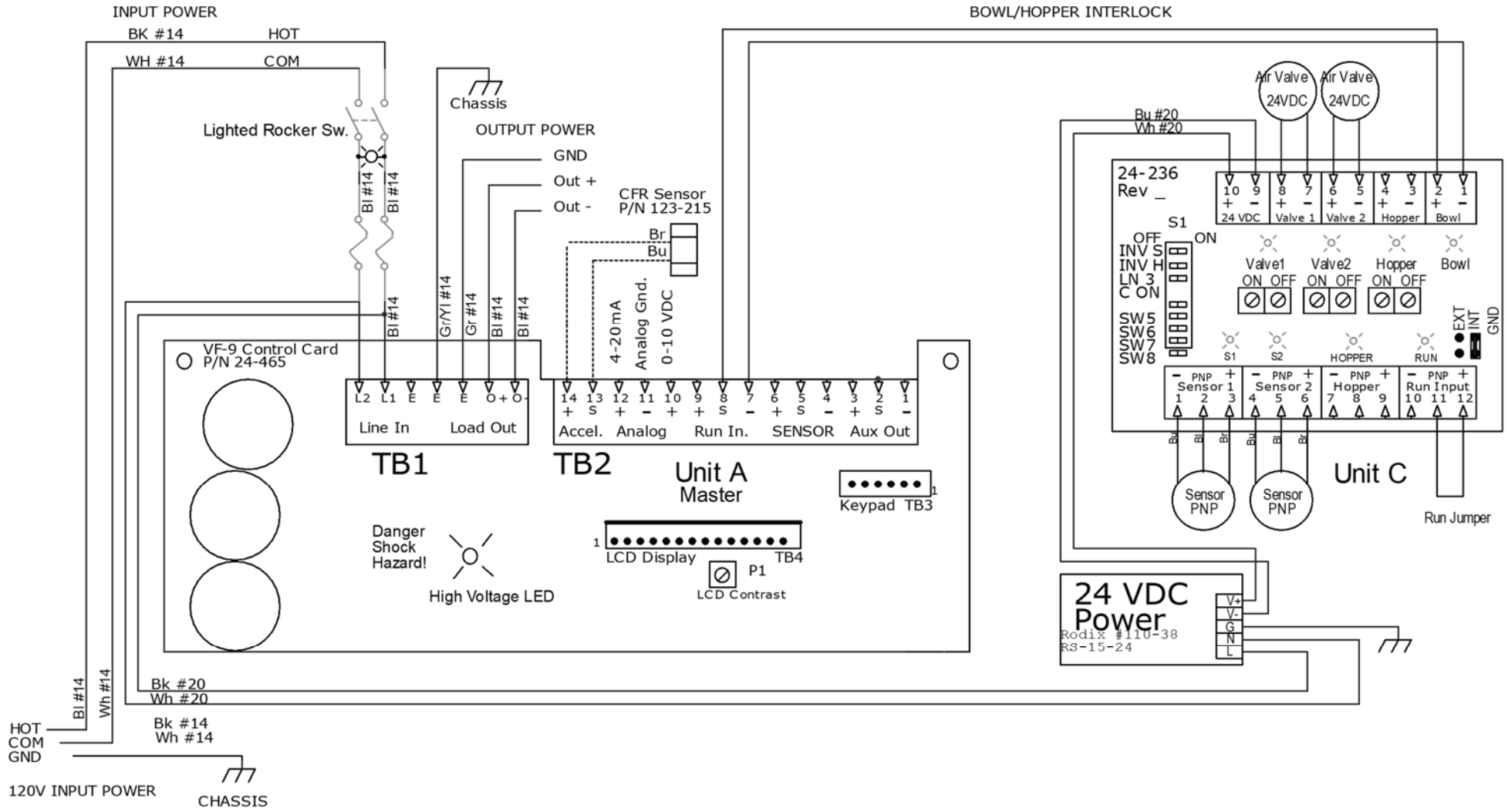


Figure 1

Control Menu Layout for VF Series

Normal Operation Display		
Press and hold 'Enter' key to enter the program menu or get to the security menu. Then use the "Enter" key to move right from Main Menu to Sub Menu to the Adjustable Setting. Use the "Back" key to move left.		
Main Menu	Sub Menu	Adjustable Setting
→ Power Settings	Amplitude Max Amplitude Min Amplitude Soft Start Time Amplitude Source Amplitude Set-Point CFR Positive Gain CFR Negative Gain Current Limit	[0.0 to 100.0] % [100.0 to 40.0] % [0.0 to 95.0] % [0.0 to 10.0] Seconds (0.5 Default) [Auto Tracking Manual, 0-10V, 4-20mA, Follow] [0.0 to 1250] vibration level [7 Default] [12 Default] [10.5 (4.1 VF-3), (12.5, VF-12), (18.0, VF-18) Default] Amps
→ Frequency Settings	Frequency Max Frequency Min Frequency Frequency Mode Auto Scan Resonate Threshold Level Auto Track Dead Band	[5.0 to 180.0] Hz (60.0 Hertz Default) [15.0 to 180.0] Hz (140.0 Hertz Default) [5.0 to 170.0] Hz (45.0 Hertz Default) [Auto Tracking , Manual] [Press ENTER to perform an automatic frequency scan] [15.0 Default] [15 Default]
→ Timer Settings	On Delay Off Delay Empty Bowl Timer	[0.0 to 20.0] Seconds (0.5 Default) [0.0 to 20.0] Seconds (0.5 Default) [5 to 255] Seconds (10 Default)
→ I/O Interface	Sensor Polarity Run Mode Run Input Empty Bowl Aux Output Mode	[Inverted , Normal] [Normal , Always On, 2-Speed, High/Low] [Normal , Disable] Run Input can be ignored. [Normal , Stop] [Normal , Inverted, Alarm, Inv Alarm, Air Jet]
→ Security	Keypad Lock Security Code	[Unlocked , Amplitude Only, Locked] [000 to 999]
→ Language	Pick Language	[English, Spanish, French, German, Czech, Dutch, Italian, Polish, Portuguese, Swedish, Turkish]
→ Diagnostics	Board/Load Current Accelerometer AC Volts Analog 4-20 mA, 0-10 V Temp, Temp, PS Volts Software, Software Vers.	[data, data] Board, Amps [data] signal amplitude [data] Volts [data, data] mA, Volts [data], [data] °C, [data] Volts → Self Test1/factory reset (factory test only) [data] Power, [data] Display
→ Defaults	Restore Settings 1 Restore Settings 2 Restore Settings 3 Save Settings 1 Save Settings 2 Save Settings 3 Factory Reset	['Enter' Restores User Settings 1] ['Enter' Restores User Settings 2] ['Enter' Restores User Settings 3] ['Enter' Saves User Settings 1] ['Enter' Saves User Settings 2] ['Enter' Saves User Settings 3] ['Enter' Resets Control to Factory Default Settings (Shown in bold)]

Normal Display Message Priority:

Status Line Message	→	Run/CFR	R=1	←	Run Input: 1= on /closed & 0= off/open
CFR Set Point	→	CFR=024.5	S=1	←	Sensor Input: 1= on /closed & 0= off/open
Amplitude	→	A= 40.0%	O=1	←	Output to vibratory feeder: 1= on & 0= off
Frequency	→	F= 60.0Hz	A=1	←	Aux Output: 1= on & 0= off

The **normal operating display** shows the status of the control with regard to input signals and control settings. They are listed from highest to lowest in priority. The highest priority message takes precedence over the other messages.

Stop/Run - The 1/0 button has been pushed to disable control operation.

Override - The 1/0 button has been pushed and held so the control feeds while ignoring the "Sensor" or "Run" inputs.

Run Input - The run jumper has not been made.

Parts Sens - The parts sensor and control logic is telling the control to stay off.

Empty/jam - Empty bowl timer is timed out because parts did not pass by the parts sensor to reset the timer. Press 1/0

Analog - An external signal is in control of the speed input.

Low - Low Speed used when 2 speed has been selected and the sensor is not made.

Zero Speed - The output is off because the output is set to 0.0%.

Run - The feeder is running normally.

Run/CFR - Constant Feed Rate sensor is regulating the feed rate (Autotune®).



RODIX INC.
AUTO TUNE®
FEEDER CUBE®
VF Series

Auto Tune® Series of Variable Frequency controls

General Description

The Auto Tune® Series of variable frequency feeder controls are ideal for vibratory bowls, storage hoppers and linear inline feeders. The VF Series output frequency can be adjusted to match the natural frequency of the vibratory feeder. The amplitude sets the amount of vibration. The CFR vibration sensor allows the control to Auto Tune® to the optimum feeding frequency. The CFR sensor also regulates the vibration level. A feeder operating at its resonant frequency will perform efficiently using less power and provide better feeding performance.

Standard features include an easy to read backlit display, easy to understand status messages and simple to navigate set-up menu. Resonant frequency can be found manually using the keypad or automatically by mounting the optional vibration sensor, P/N 123-215, letting the controller scan the frequency range. The vibration sensor also provides feedback to help maintain a constant parts feed rate. Other features include a parts sensor input, an interlock output, enable input, soft-start adjustment, line voltage compensation, 4-20mA amplitude control, and lockable menu.

Control Sizing

A VF control should be sized according to the amperage needed to operate a full vibratory feeder. If the amps is unknown, use the following guidelines.

Most hoppers and linear inline feeders can be powered by a VF-3 control. Typical two coil feeder bowls can be driven by a VF-9 control. Two coil bowls with outside tooling that require a high feed rate should be connected to a VF-12 control. Three coil bowls should use a VF-12 control. Four coil bowls should use a VF-18 control.

ADJUSTMENTS & SET UP

Mounting

The VF-3, VF-9 controls may be mounted vertically or horizontally, but the controls stay cooler lasting longer when mounted vertically. Mount the control to a metal plate or mount it so that the back of the heat sink is fully exposed to the air.

Important: The heat sink fins of the VF-12 power control must be mounted vertically with three inches of space above and below the heat sink for proper cooling.

The VF-18 control and heat sink are cooled by a fan. Mount the heat sink vertically or horizontally flat against a metal plate in order to ensure the fan's air flow through the heat sink.

Electrical Connections

Make the electrical connections prior to turning the control on. Once connections are made, any desired changes to the software settings can be made with the cover closed. **Warning: Shock Hazard! Do not operate control with cover open.**

Safety codes require single phase 120 or 240 VAC installations to bypass the phase 2 fuse, L2. To bypass, remove the wire connecting TB1-L2 to the L2 fuse holder. Remove the terminal end of the wire connecting the L2 fuse to the power switch and connect it to TB1-L2.

1. Parts Sensor Input

(Photo-sensor or Proximity Switch)

Connect a current-sourcing (PNP) sensor to TB2 as shown on the enclosed wiring diagram. The sensor must be able to operate on 24VDC and be capable of switching at least 3.0 mA. See Parts Sensor Settings section for more operation information.

2. Run Input Enable

A Run Jumper comes installed from the factory as shown on the enclosed wiring diagram.

If the run input is to be controlled by a relay contact, switch, or other device, replace the factory-installed jumper (see TB2 of the wiring diagram) with the contact device. The contact must be able to switch 24VDC at 3.0 mA. The control will then run only

when the contact is closed and the part sensor is calling for parts. The right column of the display shows the run status with "R= 1" or "R= 0."

If the run input will be controlled by a current sourcing PLC output, use the "Sig" and "-" terminals (see TB2 on the wiring diagram).

For the High/Low parts sensing mode, a second PNP parts sensor connects to the run input in place of the run jumper.

3. Auxiliary Output

The right column of the display shows the status of the Aux output, "A=1" or "A=0." The Feeder Bowl/Hopper Interlock "sig" and "-" (see TB2 on the wiring diagram) can be connected to a Rodix FC-40 *Plus* All-Purpose Series control (TB2-11(-) & 12(sig)) when control of a bulk material hopper is needed. The control interlock will prevent the hopper from operating anytime the bowl is turned "OFF" or in "STAND BY" mode. The Interlock output is capable of switching 24 VDC at 85 mA. The Interlock output can also be used to drive a solid state relay that can operate auxiliary equipment such as air valves. See Figure 2 on the wiring diagram. One VF series control can be interlocked to another. The aux output of the master control connects to the run input of the subordinate. To monitor the 24VDC AUX output with a PLC, wire the PLC signal input to TB2-2 and wire common to TB2-1.

A 2-Watt (or less) 24VDC air solenoid or a relay can be driven by the Aux output.

4. Internal Power Supply

At the rated line voltage, the line isolated power supply is capable of providing a combined total current of 150 mA at 24 VDC. The total current includes the parts sensor, auxiliary output accessories, and CFR sensor.

5. Power Connections

The control can operate on a power line from 90 to 264VAC. The plug can be connected to a standard North American receptacle (NEMA 5-15R). For 208 and 240VAC applications, cut the plug end(s) off and make proper plug-in connections for the factory's power lines.

The variable frequency control is energy efficient because it recaptures energy from the feeder coils every cycle. Because of the efficiency, the input power cord may be slimmer than the output cord. The VF-12 uses a #12 AWG output cord and the receptacle is not provided. The VF-18 uses a #10 AWG output cord and the receptacle is not provided.

6. External Speed Control Connections

The following methods of remote power level control can be utilized when desired:

- A. CFR sensor can maintain a constant feed rate. Attach the CFR sensor to terminals ACCEL “-“ (blue) and to ACCEL “+“ (brown). (Then update the software settings. Sections 11-A and 14-B)
- B. 4-20mA signal can be connected by bringing the positive signal wire to 4-20 “+“ and ground to 4-20 “-“. (Update software settings. Sect 11-B)
- C. 0-10VDC Analog input signal can be connected by bringing the positive signal wire to 0-10V “+“ and ground to 0-10 “-“. (Update the software settings. Section 11-C)

Software Adjustments

Once the electrical connections have been made, the control can be turned on. The software settings can be adjusted as desired through the control menu.

Display Messages

The normal operating display shows the status of the control with regard to input signals and control settings. See the Control Menu Layout page for display message details.

Navigating the Control Menu

The control uses four programming keys. The “I/O” key controls run, stop, and over-ride.

- A. The **ENTER** key allows entry to the menu and access to adjust each setting. Push and hold the enter key to enter the program mode. If the security feature has been enabled, enter the proper code. Once inside the menu, the enter key selects a menu item or a parameter to adjust. Any changes to the settings are saved at power-down.
- B. The **BACK** key moves the current menu location up one level higher than it was before. It is also used to get back to the normal operating display.
- C. The **Arrow Down** key allows the user to step down through the program menu or to decrease a setting.
- D. The **Arrow Up** key allows the user to step up through the program menu or to increase a setting.

- E. The “**I/O**” key allows the user to temporarily stop or to start the control’s operation. When the LCD status reads “Stop/Run,” hold the “I/O” key down for just over a second, and the control will start the over-ride operation. In over-ride mode the output turns on regardless of I/O connections and status. See the “Control Menu Layout” chart for the menu structure. When in the menu mode and no keys are pressed for 1 minute, the display reverts to the normal operating display mode.

7. Amplitude Power Setting

The output power is controlled by the up and down arrow keys. The power setting can be adjusted with the keys unless the security feature lock has been selected. Once the proper security code has been entered, the power setting may be adjusted under the “Power” menu. Note: the power setting may not be above the maximum power setting or below the minimum power setting level. The amplitude power setting is displayed in the following manner:
A = 50.0%.”

8. Limiting the Maximum Output of Control

The “Max Amplitude” setting can be adjusted to keep a vibratory feeder from hammering or vibrating excessively when the control is turned up to full power. The maximum power setting can be found under the “Power” menu. It can be adjusted from 100.0% down to 40.0%.

Caution: it is recommended when using the CFR feature, that the Max output level of the control should be limited to prevent feeder coil from overheating. The amplitude could continue to increase if the system cannot get back to the desired vibration level.

9. Setting the Minimum Output of Control

The “Min Amplitude” setting can be adjusted to the desired low level of vibration. The minimum power setting can be found under the “Power” menu. It can be adjusted up from 0.0% to 95.0%. Note: the software does not allow the minimum level to be within 5.0 counts of the maximum level.

10. Setting the Soft-Start

The start-up of the control’s output can be adjusted to ramp up to the desired output level instead of starting abruptly. Soft-start keeps parts from falling off the tooling, reduces spring shock, and can eliminate hammering when the control turns ON. The soft start setting can be found under “Power Settings”

menu. The soft start can be set from 0.0 to 10.0 seconds. When using the 2 speed operation, the soft start function is active during the low to high speed transition.

11. External Speed & Frequency Control

The feeder control’s power level can be controlled by an external signal from a PLC, CFR sensor, or an analog source. The “External Speed Connections” section gives connection details.

- A. When the Constant Feed Rate (CFR) sensor is used, set “Amplitude Source” and “Frequency Mode” to “Auto Track.” The control should display “Run/CFR” showing that the sensor is connected. Set the power setting to the desired feed rate. The control uses information from the CFR sensor to maintain a constant vibration level at the resonate frequency. See the CFR instructions page for more information.

The CFR Set Point can be adjusted remotely by a 4-20mA PLC signal. The control’s amplitude will regulate to the vibration level of the CFR Set Point value. Set the Amplitude Source to Auto Tracking.

Caution: it is recommended when using the CFR feature, that the Max output level of the control should be limited to prevent the feeder coil from overheating. The amplitude could continue to increase if the system cannot get back to the desired vibration level.

- B. 4-20mA signal from a PLC can be used to remotely vary the output of the control instead of the keypad. The “Amplitude Source” setting must be set to 4-20mA to enable it. After the 4-20mA feature is selected, the control will automatically turn ON whenever a 4-20mA signal is applied to the control (TB2 “+ 4-20” & “-“). When the 4-20mA signal has been removed, the amplitude setting resets to zero.

The 4-20mA menu selection allows a PLC to control both the output Frequency and Amplitude or only the Frequency or just the Amplitude. The amplitude is controlled by the 4-20mA input. The Frequency is controlled by the 0-10VDC signal. The signal adjusts a 100Hz range.

The Min Frequency adjustment specifies the frequency used when the 0-10VDC input is at 0VDC. The Max Frequency adjustment can be used to ignore the upper end of the 0-10VDC signal.

- C. 0-10VDC signal from a PLC can be used to remotely vary the output of the control instead of the keypad. The "Amplitude Source" setting must be set to 0-10VDC to enable it. After the 0-10VDC feature is selected, the control will automatically turn ON whenever a signal is applied to the control (TB2- "+0-10" & "-"). When the 0-10VDC signal has been removed, the amplitude setting resets to zero.
- D. When it is desirable to ignore the external speed control inputs, the "Manual" setting can be selected.

12. CFR Positive and Negative Gain

The CFR Positive and Negative Gain settings control the rate the feeder's vibration level is corrected by the control. When the vibration decreases below the set-point, the "CFR Positive Gain" sets the rate at which the output gets boosted to compensate for a vibration decrease. When the vibration increases, the "CFR Negative Gain" sets the rate at which the output gets lowered to compensate for a vibration increase. If either the CFR Positive or Negative gain is set too low, it will take longer than desired to get back to the original feed rate. If either gain is set too high, the control may over-shoot beyond the original feed rate. The CFR Positive and Negative Gain settings effect the control's operation when the CFR sensor is used, and the "Amplitude Control" is set to "Auto Track."

13. Current Limit Trip

The current limit comes preset to the maximum value to protect the control from damage. The current limit can be lowered to protect the feeder's coil from overheating. The load current can be viewed under the diagnostic menu. If a fault occurs, Press the 1/0 button twice to clear the fault. Control current ratings are below.

	Rating with 120V input	Rating with 240V input	120V Rating below 16Hz
VF3	3 Amps	2 Amps	2 Amps
VF9	9 Amps	7 Amps	7 Amps
VF12	12 Amps	9 Amps	8 Amps
VF18	18 Amps	12 Amps	12 Amps

14. Frequency Settings

The "Frequency" menu contains the portion of the menu that controls the frequency settings. The frequency can be adjusted from 5 to 140Hz (or 180Hz on VF-3 and VF-9 controls). The spring/mass ratio of the vibratory bowl determines the natural vibrating (resonate) frequency of the bowl. The control's output frequency needs to be adjusted to match the natural frequency of the bowl. The control can be manually tuned or automatically tuned. The frequency setting is displayed as "F= 120.0Hz." The "Frequency Mode" setting selects either manual frequency adjustment or auto tracking frequency adjustment.

- A. Manually finding the resonate frequency of the bowl is much like finding a station on the AM radio band. Set the amplitude to about 30%. Then adjust the frequency across its range. The bowl should be expected to vibrate the parts at more than one spot across the frequency range. The resonate frequency is the frequency with the most vibration. Once the best feeding frequency range has been found, fine tune the frequency for the best parts movement. To increase feeder stability for parts load fluctuations, adjust the frequency down by .2 or .3Hz so that the feeder becomes slightly over-tuned.
- B. "Auto Scan" scans to locate the bowl's resonate frequency. Once auto tracking has found the resonate frequency, it can maintain the resonate frequency and amplitude of the feeder as the parts load changes. The CFR sensor is needed in order for auto tracking to operate, and "Auto Tracking" needs to be turned on under both "Amplitude Source" and "Frequency Mode" menus. To show when frequency "Auto Tracking is enabled, the normal display menu will show a bold "F." When "=" is shown in bold, the control is locked onto the resonate frequency of the feeder.
- C. The frequency can be adjusted with an analog 0-10 volt input when the amplitude source setting is set to 4-20mA.

The Minimum frequency limit can protect the feeder from feeding at a low frequency if a spring or weld breaks. The Min. or Max. frequency can block out undesirable frequencies during Auto Scan. To avoid coil damage and blown fuses during an Auto Tune scan, the Minimum frequency should only be adjusted below the 45Hz default when the vibratory feeder has been specifically designed for operation below 45Hz.

15. Resonate Threshold Level

The "Resonate Threshold Level" setting sets the minimum level of vibration that the control considers as a resonate condition during an Autoscan. The setting should be reduced if a "Coarse Scan Error" is given after two scan attempts. Adjustment is not normally needed except for some inlines.

16. Auto Track Dead Band

The "Auto Track Dead Band" setting controls how far the resonant frequency of the vibratory feeder can deviate before the output frequency of the control is adjusted to follow it. Decreasing the setting narrows the range, and increasing the setting makes the dead band range larger before a reaction takes place. This setting normally doesn't need to be changed.

17. Setting the Time Delays

The ON and OFF parts-sensor time-delays are set independently for a period of 0-20 seconds. The time delay settings can be adjusted to provide the best individual response for the feeder. The time delays can be found under the timer settings menu. The flashing "=" blinks every quarter second to show when either the ON or OFF delay timer is running.

18. Parts Sensor Settings

The "I/O Interface" menu contains the portion of the menu that controls the parts sensor polarity. The control comes preset to "inverted" sensor polarity. Set the sensor polarity to either "Normal" (through beam) or "Inverted" (proximity or retro-reflective). The sensor input accepts a PNP sensor.

19. Run Mode Settings

The "I/O Interface" menu contains the menu portion that controls the run mode and empty bowl logic.

- A. The control comes preset for normal on/off parts sensor operation. The following can be chosen:
 - 1) The "Constant On" feature can be used to keep the bowl running while the Aux output switches power to a device (air valve, SSR, or relay).
 - 2) The "2-Speed" feature allows the bowl to keep some vibration going to either trickle parts for weigh counting or to cut down the time to full speed when a high feed rate is needed. The parts sensor switches between high and low speed settings. Low speed is set by "Min Amplitude."
 - 3) The "high/low" function maintains the parts level between two parts sensors on the track. The second sensor (PNP) gets installed in place of the run jumper.

- B. The control comes preset with the “empty bowl timer” (or parts jam timer) disabled. Once enabled, the bowl will stop feeding when parts have not passed the sensor for the set time. The empty bowl timer can be adjusted from 5 to 255 seconds under the “timer settings” menu. Press the “1/0” key or toggle the parts sensor to restart the control. The auxiliary output can be set up to turn on a signaling device. See the section that describes the auxiliary output for more details.

20. Auxiliary Output Settings

The “Aux Output Mode” menu contains the menu that controls the auxiliary output (Aux Out) operation.

- A. The factory-default “Normal” setting allows the auxiliary output to turn on and off with the output of the feeder.
- B. The auxiliary output can be set to have its signal inverted from the output of the feeder. Set the “Aux Out” parameter to “Invert” to activate it.
- C. The auxiliary output can be set so that the alarm signal can indicate when the “Empty Bowl” timer has timed out. Set the “Aux Out” parameter to “Alarm” to activate it.
- D. The auxiliary output can be set so that the alarm signal can be inverted when the “Empty Bowl” timer has timed out. Set the “Aux Out” parameter to “Inv Al” to activate it.
- E. The auxiliary output can be set so that an air solenoid can be activated 1 second before feeding begins and continue for 4 seconds after feeding ends. This feature is helpful for parts orientation. Set the “Aux Out” parameter to “Air Jet” to activate this feature.

21. Diagnostics

- A. The first menu item under the diagnostic menu shows the control type and feeder’s load current.
- B. The next five items show certain software registers and the software versions which may be helpful to Rodix staff while troubleshooting over the phone.

22. Security Settings

The “Security” menu contains the portion of the menu that controls access to the program menu settings. When enabled, the security code is a number from 000 to 999. The preset code is 123. It may be changed.

- A. The control comes with the security setting “Unlocked” so the control can be set up. The amplitude can be adjusted from the normal operating display. Press and hold “Enter” to enter the program menu and adjust the software

settings.

- B. The amplitude only (Ampl. Only) adjustment allows operators to adjust the amplitude through the normal operating display, but not get to the program menu settings without the security code.
- C. The “Lock” setting locks the control from any adjustment without the use of the security code. If the security code has been forgotten, enter the security code #010, **press and hold** “Enter” until entry has been granted. Note: ignore the “Wrong Security Code” message. Once in the programming menu be sure to set the security code.

23. Default Memory

Occasionally it is nice to get back to a known setting. Once a feed system has been set up properly, the setting should be manually saved into the “Save Settings1” memory. If an operator disturbs the settings, the “Restore Settings1” feature can restore the control to a known good set up. When different parts are used on the same feed system, two other memory locations called “Save Setting2” and “Save Settings3” can be used for other parts. Operators can recall settings 1, 2 or 3 based on the part being used. The “Factory Reset” selection will put the original factory settings into the memory.

24. Language

The run display and programming menus can be set to display in English, Spanish (Español), French (Français), or German (Deutsch).

25. CFR Set Point

The CFR set point sets the amplitude vibration level that the control regulates to. The VF Series control adjusts the amplitude automatically to match the CFR set point. The CFR set point can be adjusted by the depression of the “UP” and “DOWN” arrows keys. Holding an arrow key down will adjust the amplitude setting instead of the CFR set point. The CFR set point can also be controlled by a 4-20mA signal.

The CFR set point only appears on the display when the “Amplitude Source” menu under power settings is set to “Auto Track” and the CFR sensor is attached.

26. Fault Messages

The VF control has error and warning messages that relate to “Over-Amps”, “Over-Temp” and Bowl out of parts timers. To clear the message or fault, press the “1/0” button twice. “Coarse and Fine Scan

Error” mean not enough vibration was measured during an Autoscan. Reduce Resonate Threshold.

WARNING:

Fuses should be replaced with Littelfuse 3AB or Buss ABC “Fast Acting” type or equivalent of manufacturer's original value.

Mounting this control on a vibrating surface will void the warranty.

Warranty

Rodix Control Products are Warranted to be free from defects in material and workmanship under normal use for a period of two years from date of shipment. For the full description of the warranty, terms, and software license, please contact the factory.

For assistance installing or operating your Rodix Feeder Cube® please call the factory or visit our web site. Technical help is available to answer your questions and email any needed information. To return a control for IN or OUT of warranty service, please ship it prepaid to:

Rodix Inc., ATTN: Repair Department

If under warranty, Rodix will repair or replace your control at no charge; If out of warranty, we will repair it and you will be billed for the repair charges (Time and Material) plus the return freight. Quotes for repairs are available upon request. A brief note describing the symptoms helps our technicians address the issue.

Feeder Cube® and Auto Tune® are registered TM of Rodix Inc. Banner® is a registered Trademark of Banner Engineering Corp, 9714 10th Ave, Minneapolis, MN 55441

RODIX, INC.

2316 23rd Avenue, Rockford, IL 61104

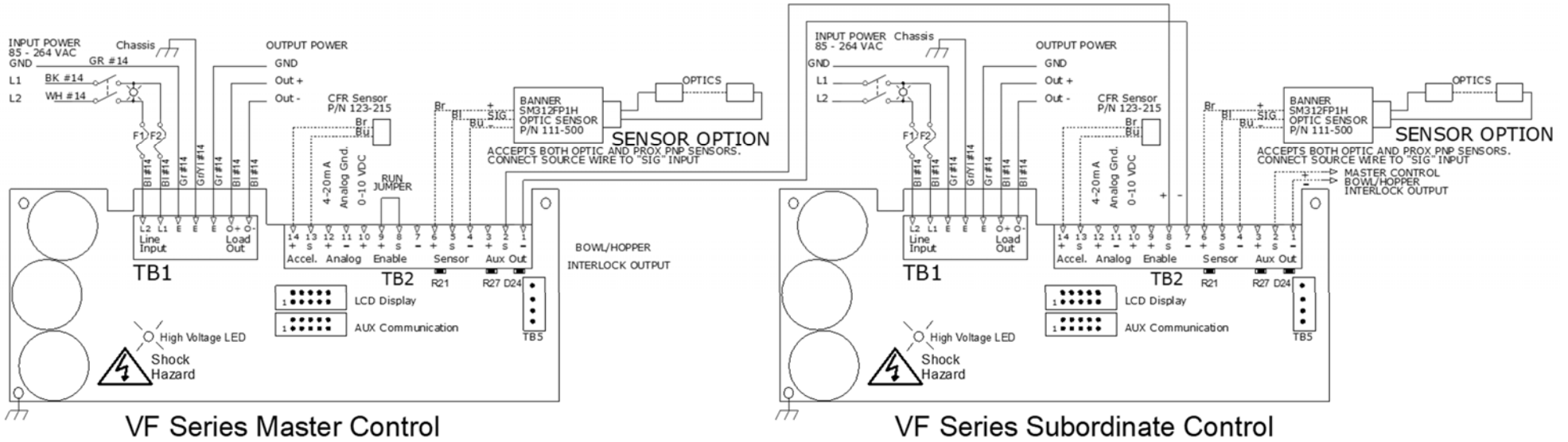
Toll Free (800) 562-1868

E-mail custserve@rodix.com

www.rodix.com

How to Interlock Two VF Series Controls together

1. Remove the run jumper from TB2 terminals 8 & 9 of the subordinate control.
2. Add a wire from term. TB2-1 of the master control to terminal 7 of the subordinate control.
3. Add a wire from TB2-2 of the master control to terminal 8 of the subordinate control.

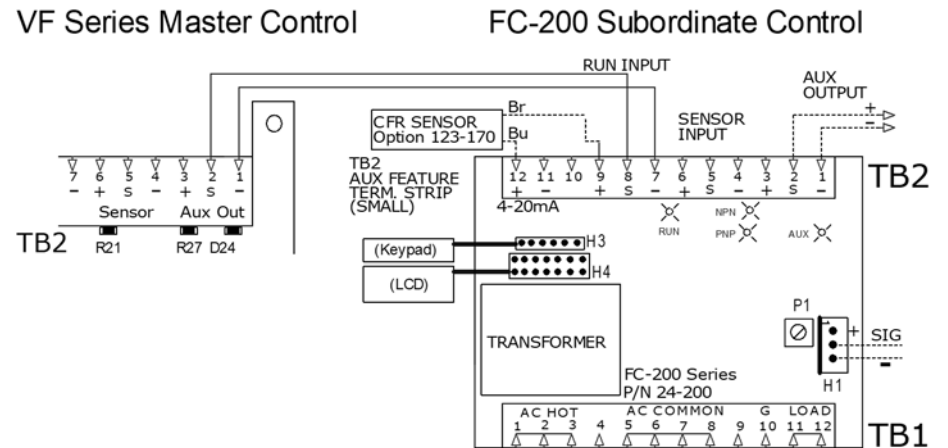
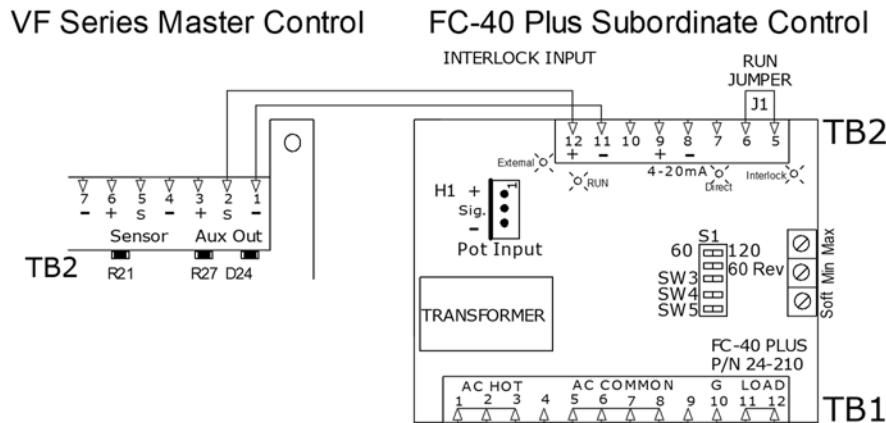


How to Interlock an FC-40 Plus Series to a VF Series Control

1. Add a wire from term. TB2-1 of the VF master control to TB2-11 of the subordinate control.
2. Add a wire from TB2-2 of the VF master control to TB2-12 of the subordinate control.
3. Move the run jumper on the subordinate control from TB2-6 & TB2-7 to TB2-5 & TB2-6.

How to Interlock an FC-200 Series to a VF Series Control

1. Remove the RUN jumper from TB2- 8 & 9 of the subordinate control.
2. Add a wire from term. TB2-1 of the VF master control to TB2-7 of the subordinate control.
3. Add a wire from TB2-2 of the VF master control to TB2-8 of the subordinate control.





INSTALLING THE CFR SENSOR

Note: Failure to adequately prepare the feeder's surface properly may result in a Constant Feed Rate (CFR) sensor that will not bond to the feeder. The sensor should not be mounted until step C-6.

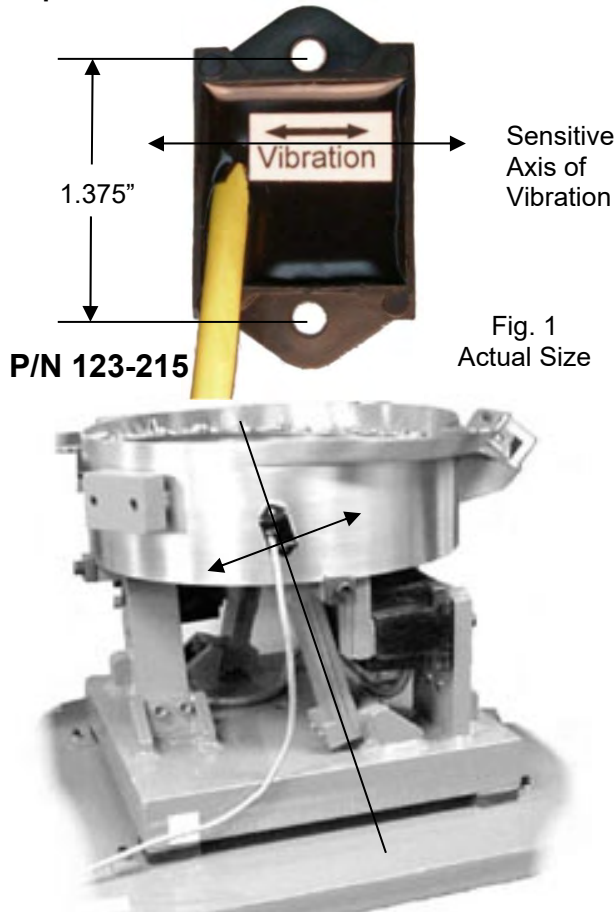


Fig. 1
Actual Size

Fig. 2 The arrow shows the direction of vibration which is at a right angle to the spring pack.

A. ORIENT THE SENSOR so that its sensitive axis is in the same direction as the vibration of the feeder. The double-ended arrow in figure 1 shows

the sensor's sensitive axis. Align the sensitive axis of the sensor in the same direction as the vibration (see figure 2). The sensor must be oriented correctly for proper operation.

B. CHOOSE A LOCATION for mounting the sensor on the feeder that is smooth and that will allow the adhesive on the sensor to bond. Avoid mounting the sensor over ridges and bumps which can reduce the ability of the adhesive to stick to the feeder. The correct location will also have enough space for the sensor's cable to hang straight down without touching anything else.

C. SURFACE PREPARATION of the feeder is crucial for proper bonding between the sensor and the feeder. Please follow these steps completely.

- 1) The feeder should be kept between 70° and 100° F for ideal tape application.
- 2) Clean a three and one-half inch circular area with a solvent like isopropyl alcohol that will not leave a residue. As a rule of thumb, the area can be considered clean when after cleaning the area with a solvent-saturated, white paper-towel, the towel is as clean as it was before wiping.
- 3) Using a good amount of pressure, polish the cleaned, circular area of the feeder using a scratch pad or steel wool. Repeat step 2, and then go to step 4.
- 4) Wipe the cleaned surface with an alcohol wipe or with a 50/50 isopropyl alcohol/water combination.
- 5) Dry the surface thoroughly using a low lint cloth or a clean paper towel.
- 6) Remove the vibration sensor from its protective packaging. Remove the liner from the adhesive backing. Avoid touching the tape. Align the sensor as shown in figures 1 and 2. Apply the vibration sensor to the prepared area of the feeder. Press the sensor very firmly onto the feeder surface for at least 10 seconds.
- 7) Allow the vibration sensor at least 20 minutes to cure before operation. Note: It takes 72 hours for the adhesive to fully cure at 70° F.

Alternatively, #8 or M4 screws can be used to mount the sensor to the feeder. The mounting holes are 1.375" (3.49cm) apart.

D. ROUTE THE SENSOR CABLE to protect it from strain due to vibration. The cable that attaches to the sensor will not break from normal vibration; however, some care should be used when routing the sensor cable from the sensor to the control. The cable should hang straight down from the sensor without touching

the feeder bowl or anything else. Then, the sensor cable should curve towards the power control with a bend radius larger than 3 inches.

Use a cable tie and an adhesive-backed mount to attach the sensor cable to the side of the drive base. See Figure 2. Clean the mounting area before applying the adhesive-backed mount.

E. CONNECT THE SENSOR to the control. If needed, connect the sensor cable's brown wire to "+ACCEL" on TB2. The blue wire connects to the "-ACCEL" on TB2.

F. SELECT THE SENSOR in the software settings of the control menu. See the Control Menu Layout page for a visual layout of the program menu.

- 1) Press and hold the "Enter" key to enter the main menu.
- 2) With "Power Settings" displayed, press the "Enter" key to get into the submenu.
- 3) Arrow "Down" to select the "Amplitude Source" submenu.
- 4) Press the "Enter" key, and Arrow "UP" to select "Auto Tracking" from the adjustments.
- 5) Press the "Back" key twice to get back to the main menu.
- 6) Next, arrow "Down" to the "Frequency Settings" selection.
- 7) Press the "Enter" key to get into the submenu.
- 8) Arrow "Down" to select the "Frequency Mode" submenu.
- 9) Press the "Enter" key, and Arrow "UP" to select "Auto Tracking" from the adjustments.
- 10) Press the "Back" key three times to get back to the normal running display.

G. PERFORM AUTO SCAN of the vibratory feeder. See the Control Menu Layout page for a visual layout of the program menu.

- 1) Press and hold the "Enter" key to enter the main menu.
- 2) Arrow "Down" to select the "Frequency" submenu.
- 3) Press the "Enter" key, and Arrow "UP" three times to select "Auto Scan" from the adjustments.
- 4) Press the "Enter" key to perform an automatic frequency scan.

Warning: Avoid dropping the sensor on a hard surface. Damage could occur.

RODIX, INC.

Toll Free (800) 562-1868

E-mail custserve@rodix.com, rodix.com



RODIX INC.
FEEDER CUBE®
Air Blow Series
GENERAL PURPOSE

Model – AB-2
P/N 121-000-1391
Circuit Board P/N 24-236

Input: 120 VAC, 50/60 HZ.
(Operating range 90-130 VAC)
Fuse Size: 1 AMP
Output: 0-24 VDC

© 2016, 2017 RODIX INC.

ADJUSTMENTS & SET UP

OVERVIEW

The Air Blow control board is used for multi-lane feeder bowl applications to blow excess parts on a lane back into the bowl.

The control board can drive the air valves on 2 lanes, and send ON/OFF control signals to the bowl and hopper feeder controls, or it can control 3 lanes, and signal the feeder bowl control.

1. POWER SUPPLY

An external 24 volt DC power supply is installed to operate the air blow board, sensors, and air valves. Size the power supply current at 450mA or greater, or else calculate the size by combining the mA draw of the board (50mA), each 24VDC air valve, and each part sensor. Add about 20% to the calculated amperage so that the power supply will operate cool.

Connect the 24 volt DC power supply to the Power “+” and “-” terminals of TB1.

2. PART SENSORS

PNP parts sensors are required for each lane used. The sensors must operate from 24 volts DC. The sensors connect to TB1. The wiring polarity is marked on the board. Each sensor input has a corresponding LED on the circuit board that is lit when the sensor output is ON. Set the DIP Switch S1 for the number of lanes needed for the application according to section 4.

3. HOPPER or LANE 3 INPUT

The Hopper Input allows a hopper to operate when the hopper sensor is calling for parts and when the bowl is feeding. The Hopper sensor input has its own invert switch labeled “INV H”. The Lane 3, DIP switch S1 should be set to the OFF position.

Set Lane 3 DIP, switch S1 to the ON position if the hopper sensor input will be used for the third parts lane instead of a hopper sensor. The “INV S” switch will control the invert sensor logic for all three lanes.

4. FEATURE PROGRAMMING SWITCH

When the “INV S” switch is ON, it will invert the lane sensor logic.

When the “INV H” switch is ON, it will invert the hopper sensor’s logic. Note: when LN 3 (lane 3) is selected, the “INV S” controls the sensor input logic.

Set “LN 3” to ON when three parts lanes are in use. (The hopper function gets disabled)

Set “C ON” (constant on) to ON when it is desirable to keep the bowl running continually, even when all the lanes are full. The air valves blow excess parts back into the bowl.

Switches SW5 through SW8 are used for special program functions and enhanced features.

5. RUN INPUT

The Run Input needs to have a 24 volt signal applied in order to activate the board’s operation.

A) The RUN input can use the internal power supply if a contact or a jumper will provide the signal. When using the internal power supply, the shorting jumper should connect across the INT pins. The RUN signal contact or jumper gets connected to TB1 terminals “+” and “PNP” of the Run Input.

B) For an externally powered run signal to control the Run Input, such as a PLC with a PNP output, set the shorting jumper across the EXT pins. The PNP output connects to the “PNP” terminal of the Run Input on TB1. The PLC common connects to the “-” terminal of the Run Input.

6. AIR VALVES

Install 24 volt DC air valves that draw 100mA or less. When a valve is ON, an LED for that output will light. If the hopper sensor input will be used for the third lane, the Lane 3 switch on DIP switch S1 must be set to the ON position.

7. LANE TIME DELAYS

Each Lane has its own set of ON delay and OFF delay trimpots. Each delay provides an adjustment from 0 to 16 seconds. Set the time delays to fill the lane to the desired level and then blow the excess parts back into the bowl.

The OFF delay (Lane Full) delay lets the lane part level build above the sensor before the lane is considered full, and the air blow turns ON. When all lanes are full, the bowl turns OFF and all air valves turn OFF. (When Constant On is used the bowl will never turn off except when the run input gets removed.)

The ON (Lane Empty) delay lets the part level empty out below the lane sensor before the lane is determined to be empty and the air blow turns OFF. The bowl turns ON when any lane is empty.

WARRANTY

Rodix Control Products are Warranted to be free from defects in material and workmanship under normal use for a period of two years from date of shipment. For the full description of the warranty, terms, and software license, please contact the factory.

For assistance installing or operating your Rodix Feeder Cube® please call the factory or visit our web site. Technical help is available to answer your questions and email any needed information. To return a control for IN or OUT of warranty service, please ship it prepaid to:

Rodix Inc., ATTN: Repair Department

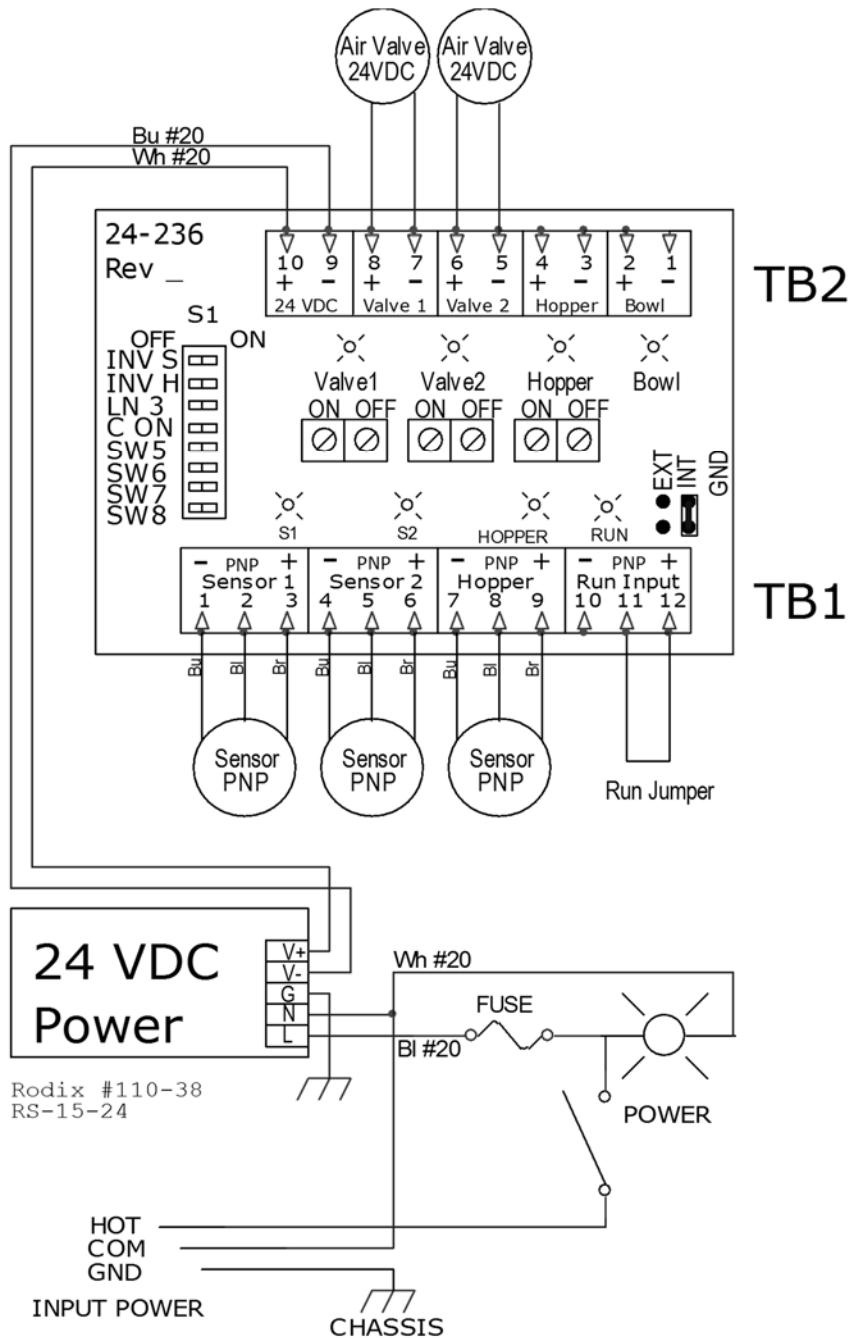
If under warranty, Rodix will repair or replace your control at no charge; If out of warranty, we will repair it and you will be billed for the repair charges (Time and Material) plus the return freight. Quotes for repairs are available upon request. A brief note describing the symptoms helps our technicians address the issue.

Feeder Cube® is a registered TM of Rodix Inc.

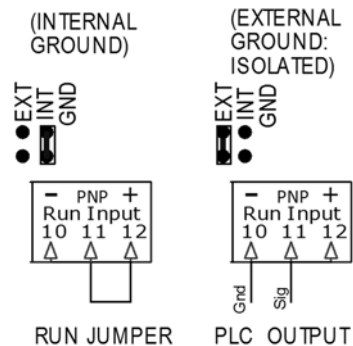
RODIX, INC. www.rodix.com
Toll Free (800) 562-1868, FAX (815) 316-4701
E-mail custserve@rodix.com



RODIX INC.
FEEDER CUBE®
 Air Blow Series
WIRING DIAGRAM



24-236 INTERNAL OR EXTERNAL GROUNDING



MODEL	INPUT VAC	AMP	OUTPUT
AB-2	120 VAC	1	24VDC

RODIX, INC. www.rodix.com
 Toll Free (800) 562-1868, FAX (815) 316-4701
 email custserve@rodix.com



RODIX SOLUTION

Good wiring practices for avoiding electrical noise problems.

Rodix controls have been designed with a high degree of immunity to electrical noise; however, depending on the control installation, electrical noise can cause problems. These problems occur in less than 1% of the product installations. Most electrical noise problems can be avoided by following some simple guidelines. Good wiring practices need to be used to prevent electrical noise from interfering with your control's operation. Another name for electrical noise is Electro-Magnetic Interference (EMI).

Symptoms of Electrical Noise

The symptoms of electrical noise would appear as follows: a brief pause or a brief "bump" in the vibratory feeder's output that the control automatically recovers from. In rare cases the control will either stop operating or run continuously at full power in 120 pulse mode until the power switch is slowly cycled OFF and ON.

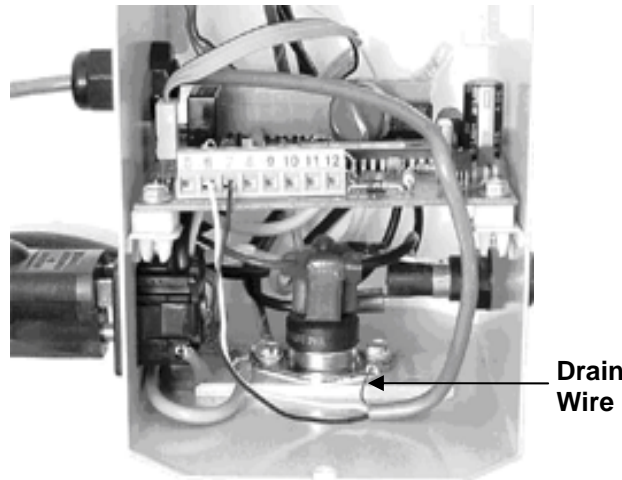
Sources of Electrical Noise

Electrical noise is generated by devices like relay coils, solenoid valves, contactors, servo motors, and variable

frequency inverter drives. The electrical noise is then transferred to another device by one of three ways. The noise could be conducted through the power wires, or capacitively coupled from wire to adjacent wire, or it is transmitted from the wires of a nearby noise source.

Solutions for Electrical Noise

1. Use shielded wires for all I/O (Input / Output) signals. The I/O signals may include: 4-20mA input, Run input, Sensor input, 0-5VDC input, Interlock input or AUX output. The shield "drain" wire should be tied to the chassis in the Rodix control. The drain wire should be kept shorter than 2". Please see the enclosed picture.

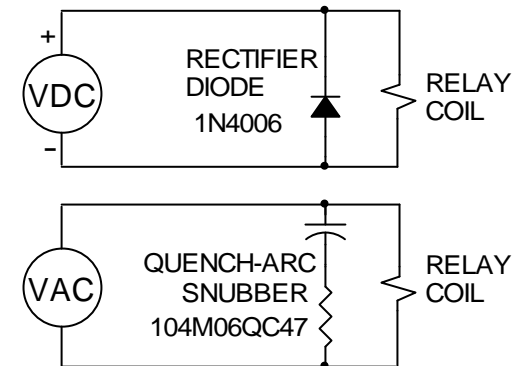


Example of a "drain" wire termination

2. Never run I/O signal wires in the same conduit or raceway as AC power lines such as wires to motors, solenoids, heaters, welders and Rodix controls, etc.

3. I/O wires within an enclosure should be routed as far away as possible from relays, solenoids, transformers, power wiring and other noisy equipment. Keep the I/O signal wires separate from the control's input and output power wiring. Secure the wires in place.

4. Whenever relays or solenoid valves are used, install a Snubber on them to reduce electrical noise. Use a diode on a DC coil. Use a RC Snubber on an AC coil.



5. In extremely high EMI environments, Power Line Filters and ferrite beads can be effective. Install ferrite beads on I/O signal wires as close as possible to the circuit board terminal strip. Loop the wire through the bead several times or use several beads on each wire for additional protection.

RODIX, INC.

Toll Free (800) 562-1868

E-mail custserve@rodix.com

www.rodix.com